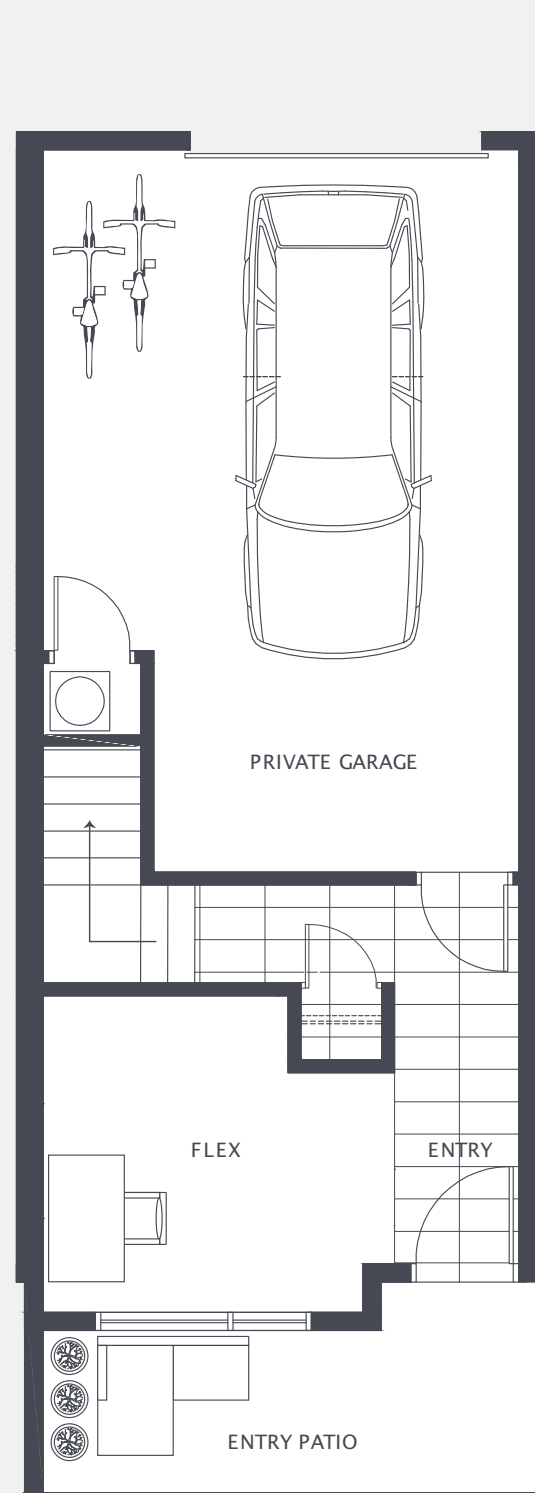
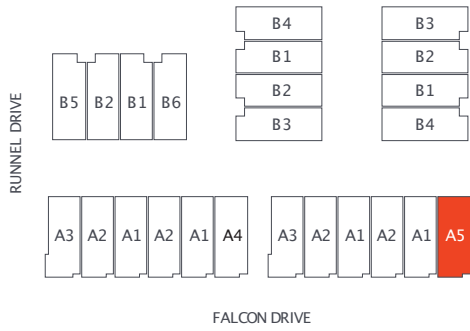


Dwell²⁴

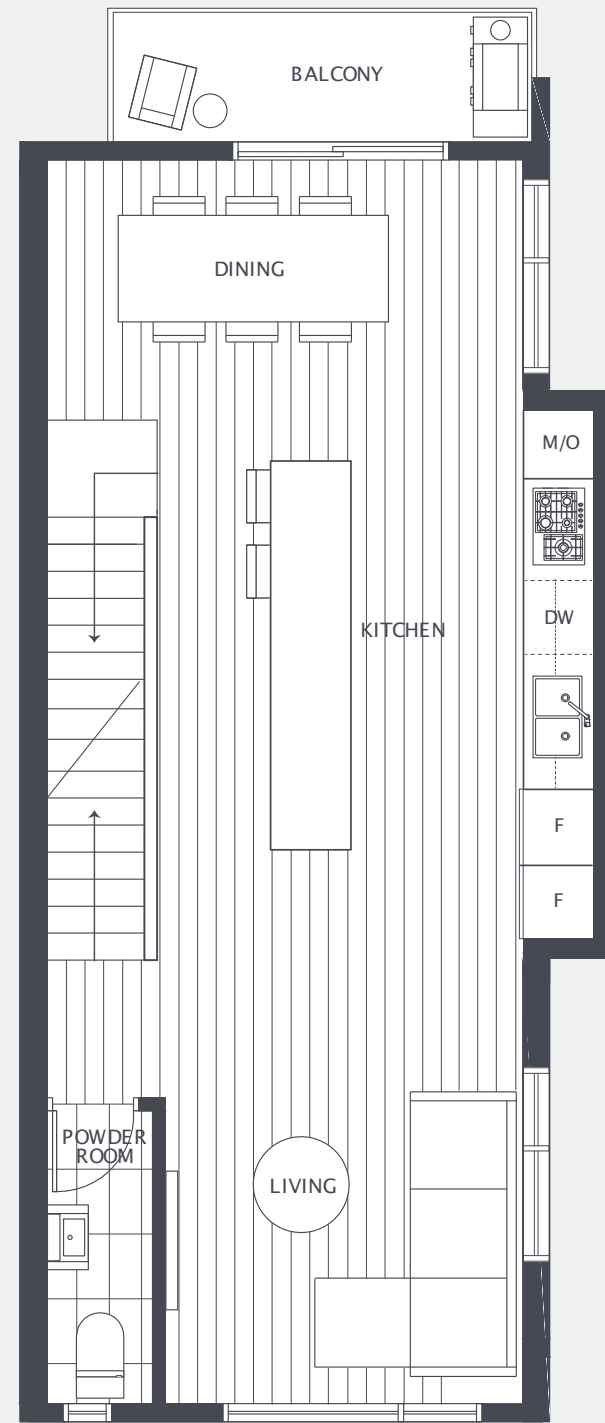
PLAN A5 3 BEDROOM + FLEX 2.5 BATH

INTERIOR
1,597 SQ.FT.

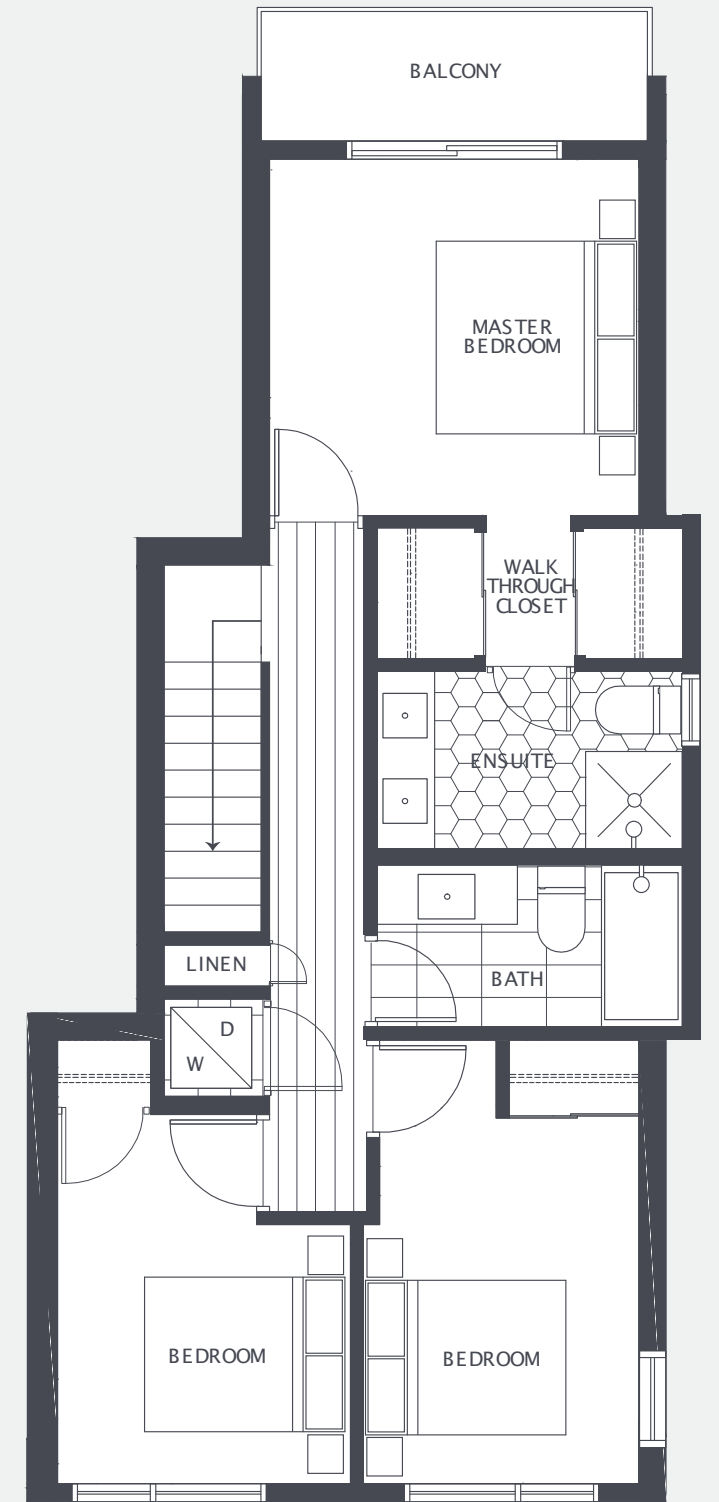
OUTDOOR
402 SQ.FT.



GROUND FLOOR



2ND FLOOR



3RD FLOOR

NORTH ▶

A⁵